

## Description

The BP6911 is a high voltage, high speed half-bridge pre-driver for power MOSFET and IGBT. It has inputs for both high side and low side, and two output channels with internal dead time to avoid cross-conduction.

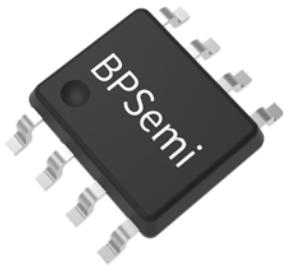
The input logic level is compatible with 3.3V/5V/15V signal. The floating high side channel can drive a N-channel power MOSFET or IGBT up to 600V.

## Features

- Floating channel operation up to 600V
- Robust at negative transient voltage
- Gate drive supply range from 10V to 20V
- 3.3V, 5V and 15V input logic compatible
- UVLO for both high side and low side
- Built-in 100ns dead time
- Available in SOP8 package

## Applications

- H-bridge
- Inverters



## Typical Application

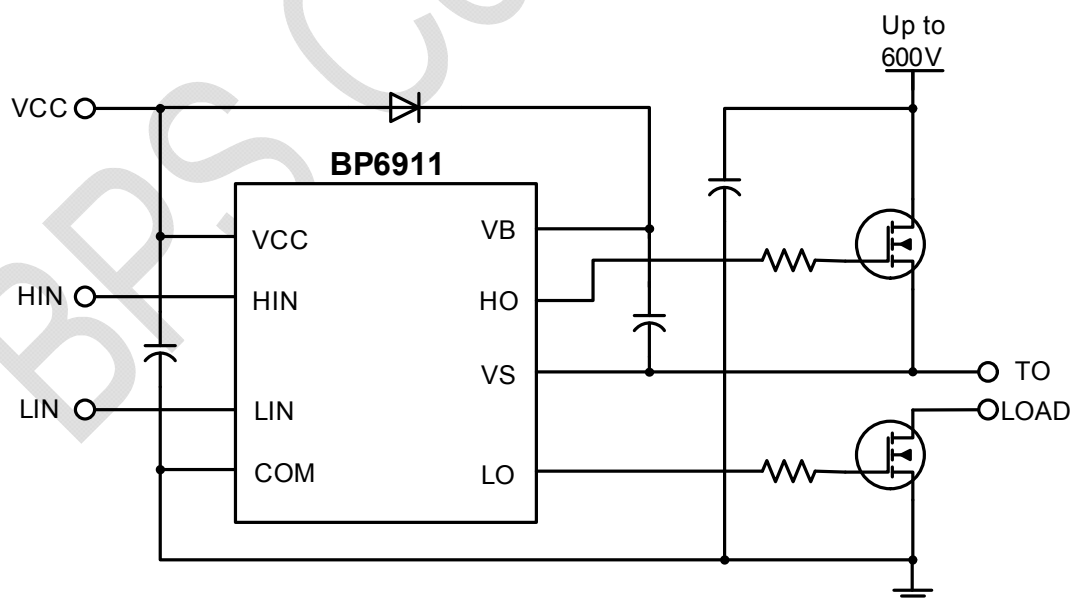


Figure 1. Schematic Diagram

### Ordering Information

Part Number	Package	Package Method	Marking
BP6911	SOP8	Tape 4,000 pcs/Reel	BP6911 XXXXXX XXWWX

### Pin Configuration and Marking Information

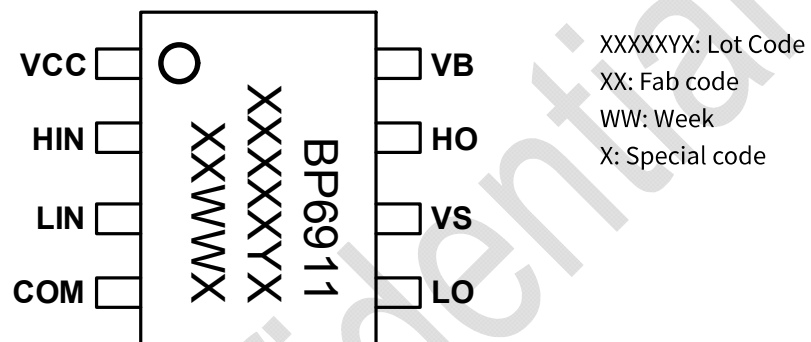


Figure2 : Pin configuration

### Pin Definition

Pin No.	Name	Description
1	VCC	Low side and logic supply voltage
2	HIN	Logic input for high side
3	LIN	Logic input for low side
4	COM	Logic ground and low side driver return
5	LO	Low side driver output
6	VS	High side driver return
7	HO	High side driver output
8	VB	High side floating supply

## Disclaimer

The information provided in this datasheet is believed to be accurate and reliable. However, Bright Power Semiconductor (BPS) reserves the right to make changes at any time without prior notice.

No license, to any intellectual property right owned by BPS or any other third party, is granted under this document. BPS provides information in this datasheet “AS IS” and with all faults, and makes no warranty, express or implied, including but not limited to, the accuracy of the information provided in this datasheet, merchantability, fitness of a specific purpose, or non-infringement of intellectual property rights of BPS or any other third party. BPS disclaims any and all liabilities arising out of this datasheet or use of this datasheet, including without limitation consequential or incidental damages.

BPS Confidential